

TLG-Series

ROCKER SWITCHES

The TLG-Series Mid-Sized Tippet snap-in rocker switches are single pole, rocker or paddle actuated with an adjacent indicator light. These single-actuator-switches are AC rated to 20 amps and are also suitable for low voltage DC applications.



Product Highlights:

- ◆ Maintained or Momentary Circuitry
- ◆ Rocker Paddle or mixed Rocker/Paddle actuators
- ◆ Illuminated or Non-Illuminated
- ◆ Integrated wire lead construction

Typical Applications:

- ◆ Appliance
- ◆ HVAC
- ◆ Food Service
- ◆ Transportation



Dielectric Strength

UL/CSA:
1000V - live to dead metal parts

Electrical Life

50,000 cycles - maintained
25,000 cycles - momentary

Mechanical Life

100,000 cycles

Operating Temperature

32°F to 185°F (0°C to 85°C)

TLG **G** - **D** **R** - **TA** **20** **1** - **T** **B** - **B** / **125N**

1 Base Part Number 2 Circuit 3 Lens Design 4 Lens Color 5 Center Position 6 Rating 7 Termination 8 Actuator Style 9 Actuator Color 10 Base Color 11 Lens Color 12 Lamp Voltage

1 BASE PART NUMBER: SERIES
TLG Single Pole with adjacent Indicator Light

2 CIRCUIT ⁴
See Circuit Designation Chart.

3 LENS DESIGN
D Diamond
L Long Line

4 LENS COLOR
A Amber **G** Green **W** White
C Clear **R** Red

5 BASIC SWITCH NUMBER
TA On-None-Off **TC** On-Off-On
TB On-None-On **LTA** On-None-Off, Lighted

6 RATING
10 5A 250VAC, 10A 125VAC, 1/2HP 125-250VAC
11 5A 250VAC, 10A 125VAC, 5A 125VAC L
20 10A 250VAC, 15A 125VAC, 3/4HP 125-250VAC
21 10A 250VAC, 15A 125VAC
22 10A 250VAC, 15A 125VAC, 20A 125-250VAC H, 3/4HP 125-250VAC

7 TERMINATION / FUNCTION

	Solder Lug	.250 Tab QC	.187 Tab QC	Wire Leads
On-None-Off	0	1	3	5
(On)-None-Off	A	B	D	F
On-None-(Off)	L	M	R	T
On-None-On	0	1	3	5
On-None-(On)	A	B	D	F
On-Off-On	0	1	3	5

8 ACTUATOR STYLE ²
P Paddle **PS** Short Paddle
T Rocker

9 ACTUATOR COLOR
unlighted ²
B Black **A** Amber
W White **C** Clear
G Green
LU Blue
R Red

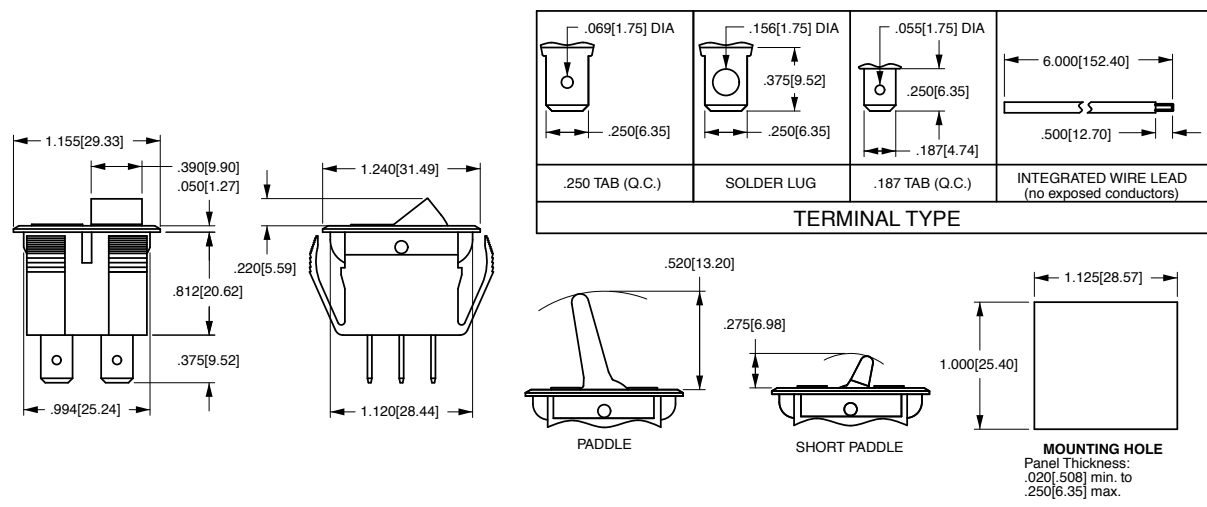
10 BASE COLOR ²
B Black **W** White

9 LENS COLOR ^{1,3}
A Amber **G** Green **R** Red
C Clear **LU** Blue **W** White

10 LAMP VOLTAGE ¹

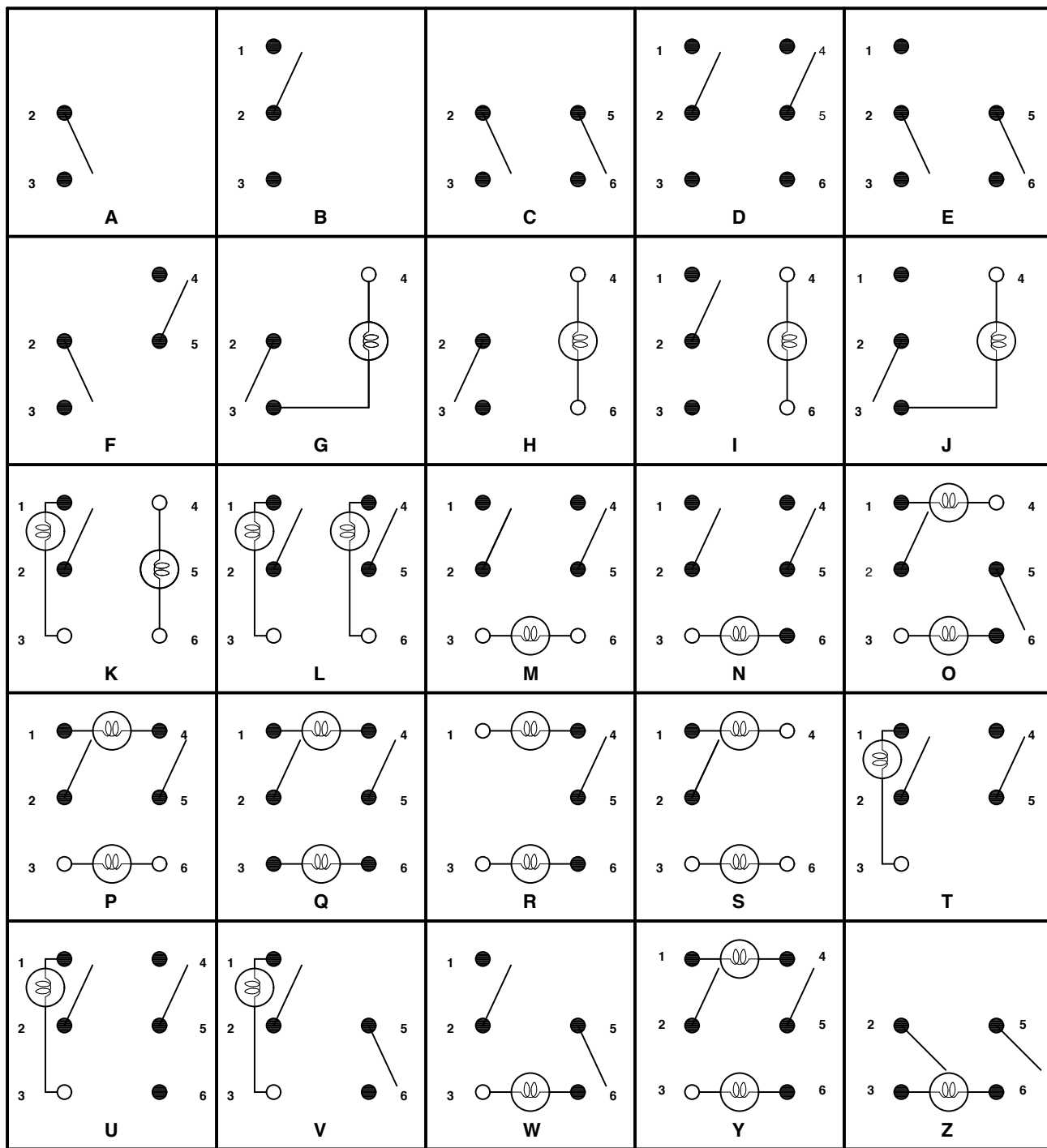
incandescent	neon
6V 6 volt	125N 125 volt neon
12V 12 volt	250N 250 volt neon
18V 18 volt	
24V 24 volt	
28V 28 volt	

Notes:
Imprinting is available. Consult factory.
Panel Cut-Out Recommendations: For sheet metal panels, switch must enter panel in same direction as the punch. (Burr on bottom.) Test cut hole in actual material.
1 Neon Lamps not recommended with green or blue actuators and lenses.
2 Custom colors are available. Consult factory.
3 Specify lens color only if actuator is lighted paddle.
4 Available with circuits G, H, I, J, K only.
(.) Indicates momentary function.



*Manufacturer reserves the right to change product specification without prior notice.

Circuit Designation Chart:



● CONTACT TERMINAL
Will make contact with switching lever

● CONTACT TERMINAL AND SWITCH LEVER

○ ISOLATED TERMINAL
Does not make contact with switching lever

○ BULB

Authorized Sales Representatives and Distributors

Click on a region of the map below to find your local representatives and distributors or visit www.carlingtech.com/findarep.



About Carling

Founded in 1920, Carling Technologies is a leading manufacturer of electrical and electronic switches and assemblies, circuit breakers, electronic controls, power distribution units, and multiplexed power distribution systems. With four ISO registered manufacturing facilities and technical sales offices worldwide, Carling Technologies Sales, Service and Engineering teams do much more than manufacture electrical components, they engineer powerful solutions! To learn more about Carling please visit www.carlingtech.com/company-profile.

To view all of Carling's environmental, quality, health & safety certifications please visit www.carlingtech.com/environmental-certifications

Worldwide Headquarters

Carling Technologies, Inc.
60 Johnson Avenue, Plainville, CT 06062
Phone: 860.793.9281 **Fax:** 860.793.9231
Email: sales@carlingtech.com

Northern Region Sales Office: nrsm@carlingtech.com
Southeast Region Sales Office: sersm@carlingtech.com
Midwest Region Sales Office: mrsrm@carlingtech.com
West Region Sales Office: wrsm@carlingtech.com
Latin America Sales Office: larsm@carlingtech.com

Asia-Pacific Headquarters

Carling Technologies, Asia-Pacific Ltd.,
Suite 1607, 16/F Tower 2, The Gateway,
Harbour City, 25 Canton Road,
Tsimshatsui, Kowloon, Hong Kong
Phone: Int + 852-2737-2277 **Fax:** Int + 852-2736-9332
Email: sales@carlingtech.com.hk

Shenzhen, China: shenzhen@carlingtech.com
Shanghai, China: shanghai@carlingtech.com
Pune, India: india@carlingtech.com
Kaohsiung, Taiwan: taiwan@carlingtech.com
Yokohama, Japan: japan@carlingtech.com

Europe | Middle East | Africa Headquarters

Carling Technologies LTD
4 Airport Business Park, Exeter Airport,
Clyst Honiton, Exeter, Devon, EX5 2UL, UK
Phone: Int + 44 1392.364422 **Fax:** Int + 44 1392.364477
Email: ltd.sales@carlingtech.com

Germany: gmbh@carlingtech.com
France: sas@carlingtech.com



Carling Technologies®

Innovative Designs. Powerful Solutions.